

**Lavavajillas de apertura frontal
Lave-vaisselle à ouverture frontale
Front loading dishwasher
Geschirrspülmaschinen mit frontbeladung
Lavastoviglie ad apertura frontale
Lava-louças de apertura frontal**

Modelos:

EASY-500

EASY-500 B

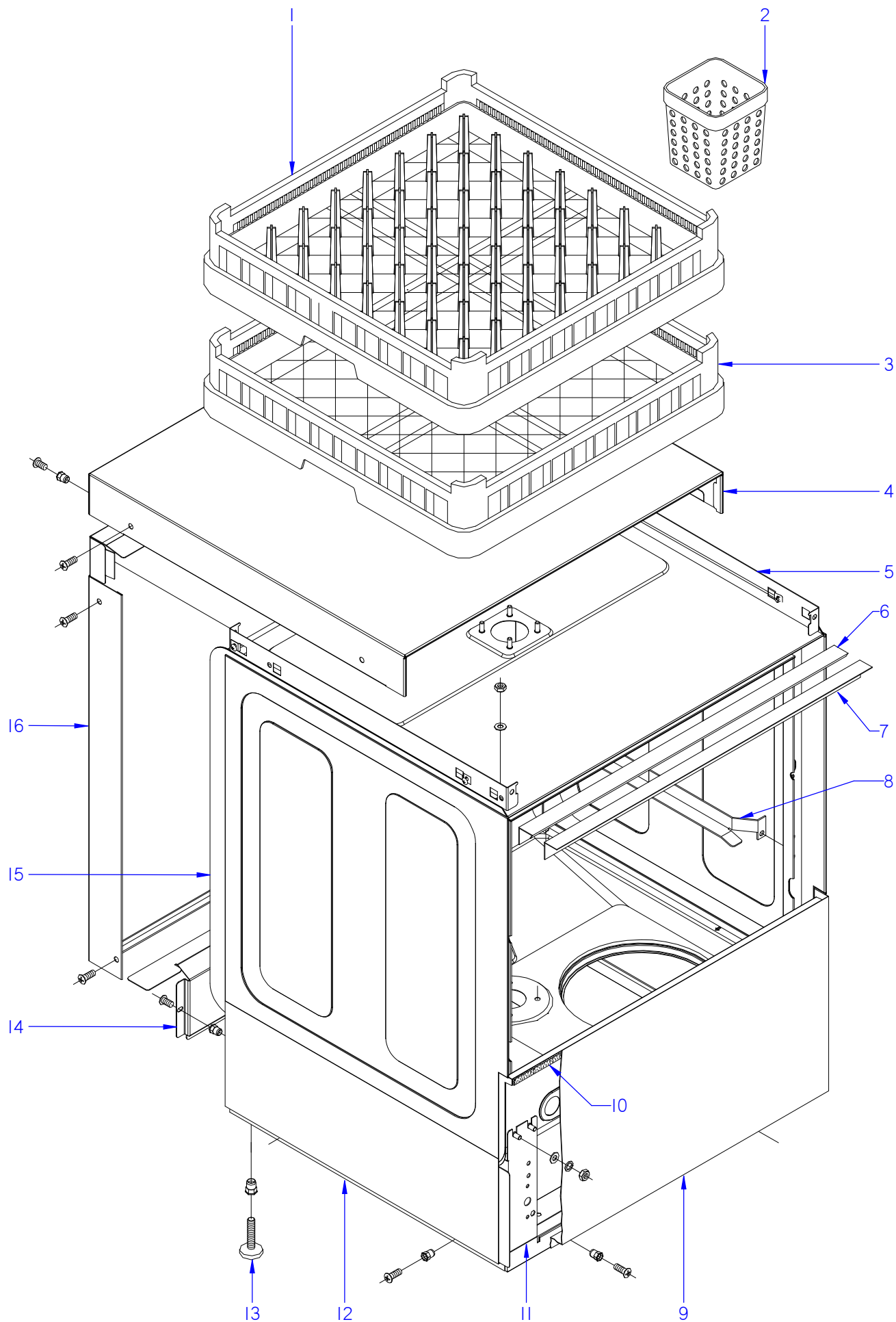
EASY-500 DD

EASY-500 HP

EASY-500 HP W B DD

Diciembre 2013 December

asber 

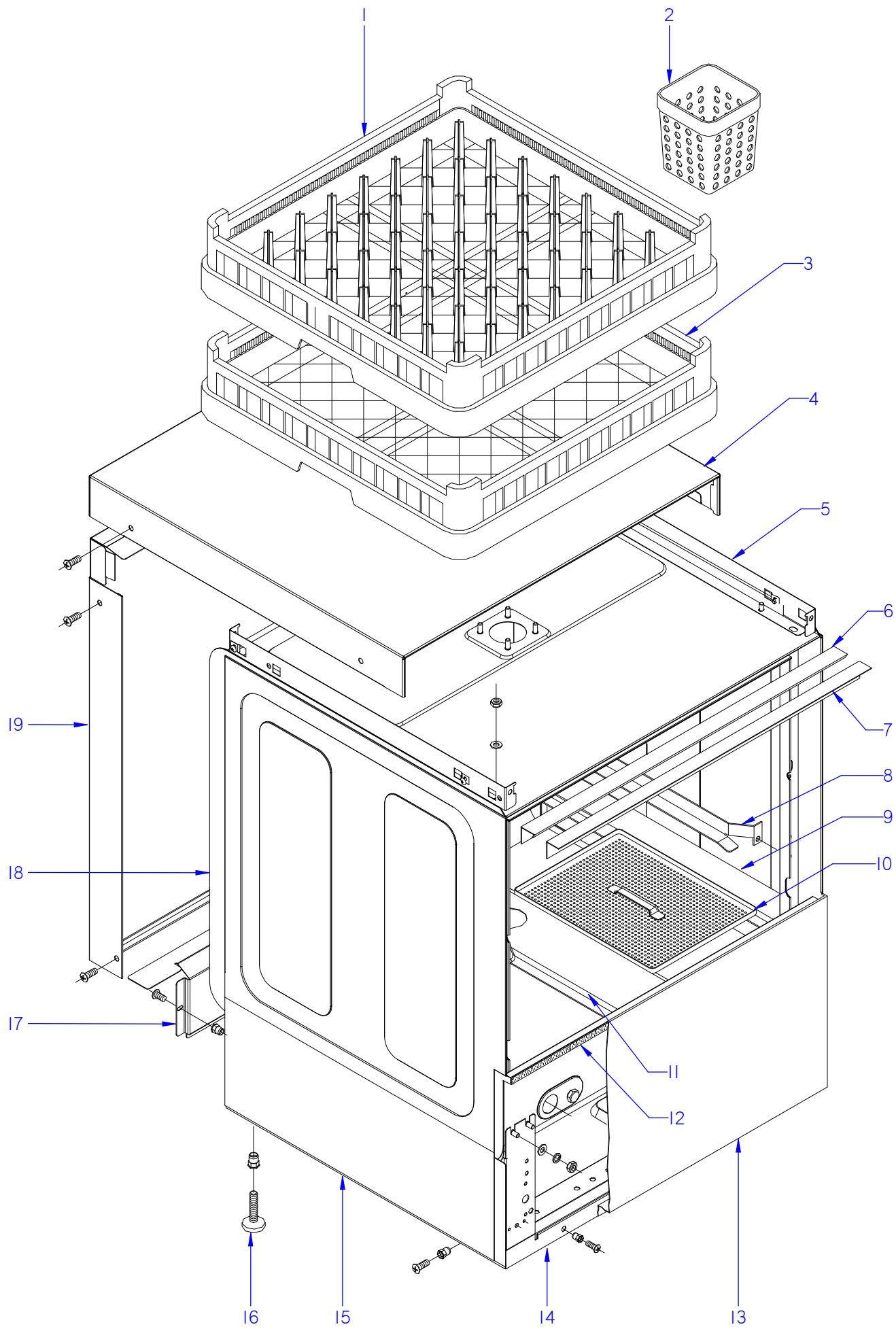


ITEM MARCADO EN COLOR = REPUESTO RECOMENDADO
 COLOURED ITEM = RECOMMENDED SPARE PART

N plano	Firma	Fecha	Aparato	MUEBLE / FITTING	Lamina	
C-3168	name Benfor	2013-12	LAVAVAJILLAS EASY-500		1	

MOD.		LAVAVAJILLAS / DISWASHER		ZONA / ZONE		MUEBLE / FITTING						PLANO DIAGRAM		C-3168	
ITEM	CODIGO REFERENCE	DENOMINACION	DENOMINATION	EASY-500	EASY-500 B	EASY-500 DD						ELIMINADO ELIMINATED	INTRODUCID. INTRODUCED	NOTAS	
1	12024990	CESTILLO PLATOS CP-16-18	PLATE BASKET CP-16-18	1	1	1									
2	12023745	CESTILLO CUBIERTOS	CUTLERY BASKET	1	1	1									
3	12025011	CESTILLO BASE CT-10	BASE BASKET CT-10	1	1	1									
	12023751	TOPE 50x50x80	BUFFER 50x50x80	2	2	2									
4	12092332	TAPA T-CO.	COVER T-CO.	1	1	1									
	Q221342000	REMACHE EXAGONAL M5	HEXAGONAL RIVET M5	2	2	2									
	Q152004000	TORNIL, APLASTADO M5x13 A304	FLAT HEADED BOLT M5x13 A304	2	2	2									
	Q152004000	TORNIL, APLASTADO M5x13 A304	FLAT HEADED BOLT M5x13 A304	4	4	4									
	Q221012000	TUERCA RAPIDA M,5	RAPID NUT M,5	4	4	4									
	3713500000	PERFIL CUBREARISTAS PLASTICO	PLASTIC EDGE COVER PROFILE	1	1	1									
5	12022365	ESCUADRA AMARRE TAPA ASPES	COVER FASTENING BRACKET AF	2	2	2									
6	12024374	PERFIL CAJA	BOX PROFILE	1	1	1									
7	12022469	ESCUADRA SUJECCION PERFIL	FASTENING BRACKET PROFILE	1	1	1									
8	12022568	GUIA CESTILLO DERECHO	RIGHT BASKET GUIDE	1	1	1									
S/Nº	12022569	GUIA CESTILLO IZQUIERDO	LEFT BASKET GUIDE	1	1	1									
	Q162040000	TUERCA EXAGONAL M6	HEXAGONAL NUT M6	4	4	4									
	Q232040000	ARANDELA A6	WASHER A6	4	4	4									
	Q306024000	JUNTA18X12.5X1.5	SEAL 18X12.5X1.5	1	1	1									
	Q162070000	TUERCA EXAGONAL M12	HEXAGONAL NUT M12	1	1	1									
9	12022724	PANEL FRONTAL SIN PUERTA	FRONT PANEL WITHOUT DOOR	1	1	1									
10	12024174	PERFIL GOMA ESPONJOSA	FOAM RUBBER PROFILE	1	1	1									
11	12003593	ARMAZON COMPLETO	COMPLETE FRAME	1	1	1									
	Q221345000	REMACHE EXAGONAL M10	HEXAGONAL RIVET M10	4	4	4									
	Q221342000	REMACHE EXAGONAL M5	HEXAGONAL RIVET M5	16	16	16									
12	12022560	PANEL LATERAL IZQUIERDO	LEFT SIDE PANEL	1	1	1									
S/Nº	12022563	PANEL LATERAL DERECHO	RIGHT SIDE PANEL	1	1	1									
	Q152004000	TORNIL, APLASTADO M5x13 A304	FLAT HEADED BOLT M5x13 A304	4	4	4									
13	12024163	PATA REGULABLE	ADJUSTABLE LEG	4	4	4									
14	12022395	PANEL POSTERIOR INFERIOR	REAR LOWER PANEL	1	1	1									
	Q152004000	TORNIL, APLASTADO M5x13 A304	FLAT HEADED BOLT M5x13 A304	2	2	2									

MOD.	LAVAVAJILLAS / DISWASHER		ZONA / ZONE	MUEBLE / FITTING										PLANO DIAGRAM		C-3168
ITEM	CODIGO REFERENCE	DENOMINACION	DENOMINATION	EASY-500	EASY-500 B	EASY-500 DD								ELIMINADO ELIMINATED	INTRODUCID. INTRODUCED	NOTAS
15	12087153	CAJA SOLDADA	WELDED BOX	1	1	1										
	Q162040000	TUERCA EXAGONAL M6	HEXAGONAL NUT M6	8	8	8										
	Q302022000	ARANDELA 16X6X1.2 A.304	WASHER 16X6X1.2 A.304	8	8	8										
	Q262040000	ARANDELA GROW. A6 A.304	WASHER GROW. A6 A.304	8	8	8										
	Q228007000	TUERCA DE SOMBRERETE M.6	BOLT M6x10	8	8	8										
16	12022740	PANEL POSTERIOR ALU.FI-30	ALU.FI-30 REAR PANEL	1	1	1										
	Q152004000	TORNIL, APLASTADO M5x13 A304	FLAT HEADED BOLT M5x13 A304	4	4	4										

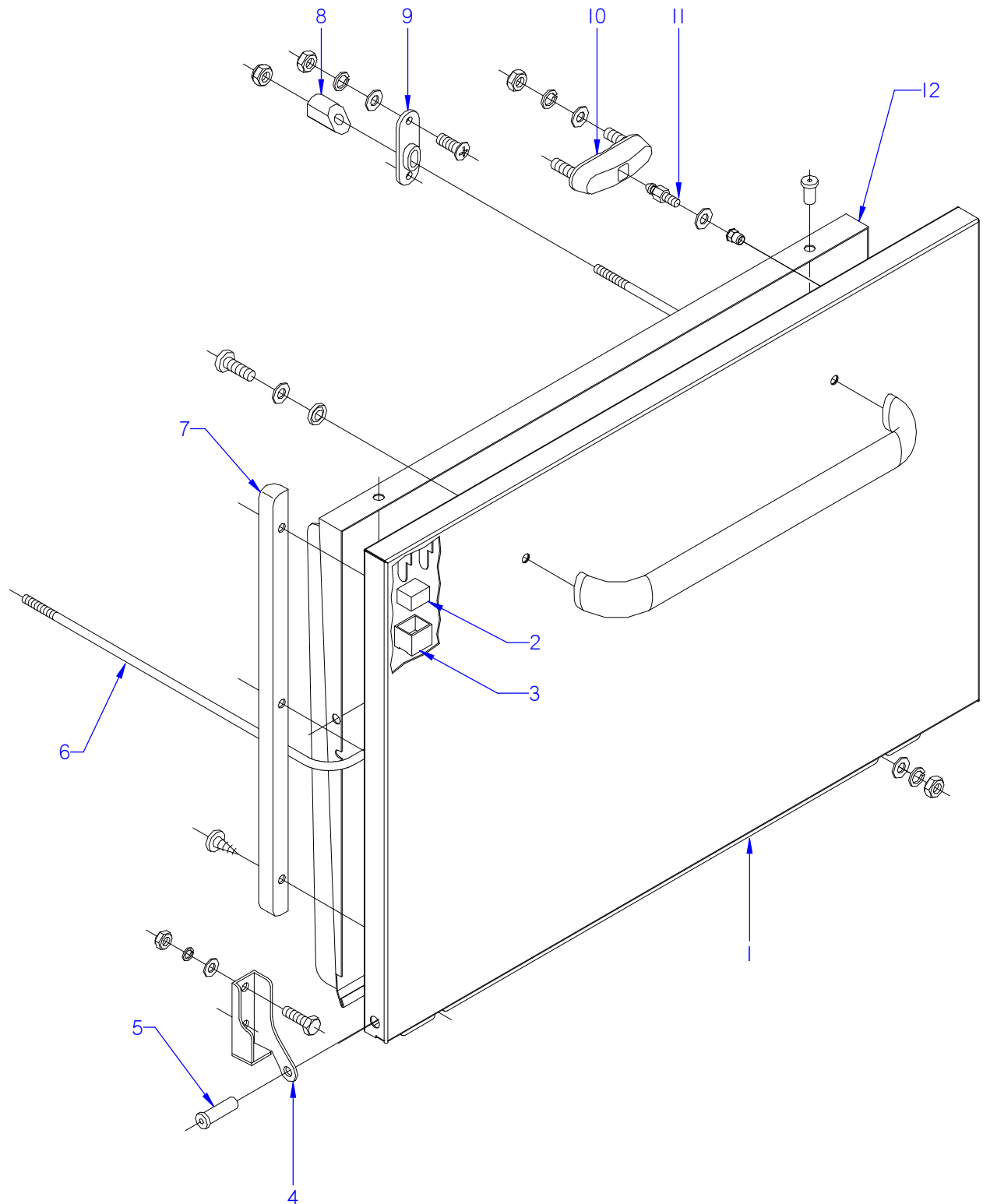


ITEM MARCADO EN COLOR = REPUESTO RECOMENDADO
 COLOURED ITEM = RECOMMENDED SPARE PART

N plano	Firma	Fecha	Aparato	MUEBLE / FITTING	Lamina	
C-3169	<i>name Benfor</i>	2013-12	LAVAVAJILLAS EASY-500HP W B DD		2	

MOD.		LAVAVAJILLAS / DISWASHER		ZONA / ZONE		MUEBLE / FITTING						PLANO DIAGRAM		C-3169	
ITEM	CODIGO REFERENCE	DENOMINACION	DENOMINATION	EASY-500HP	EASY-500HP W B DD							ELIMINADO ELIMINATED	INTRODUCID. INTRODUCED	NOTAS	
1	12024990	CESTILLO PLATOS CP-16-18	PLATE BASKET CP-16-18	1	1										
2	12023745	CESTILLO CUBIERTOS	CUTLERY BASKET	1	1										
3	12025011	CESTILLO BASE CT-10	BASE BASKET CT-10	1	1										
	12023751	TOPE 50x50x80	BUFFER 50x50x80	2	2										
4	12092332	TAPA T-CO.	COVER T-CO.	1	1										
	Q221342000	REMACHE EXAGONAL M5	HEXAGONAL RIVET M5	2	2										
	Q152004000	TORNIL, APLASTADO M5x13 A304	FLAT HEADED BOLT M5x13 A304	2	2										
	Q152004000	TORNIL, APLASTADO M5x13 A304	FLAT HEADED BOLT M5x13 A304	4	4										
	Q221012000	TUERCA RAPIDA M,5	RAPID NUT M,5	4	4										
	3713500000	PERFIL CUBREARISTAS PLASTICO	PLASTIC EDGE COVER PROFILE	1	1										
5	12022365	ESCUADRA AMARRE TAPA ASPES	COVER FASTENING BRACKET AF	2	2										
6	12024374	PERFIL CAJA	BOX PROFILE	1	1										
7	12022469	ESCUADRA SUJECCION PERFIL	FASTENING BRACKET PROFILE	1	1										
8	12022568	GUIA CESTILLO DERECHO	RIGHT BASKET GUIDE	1	1										
S/Nº	12022569	GUIA CESTILLO IZQUIERDO	LEFT BASKET GUIDE	1	1										
	Q162040000	TUERCA EXAGONAL M6	HEXAGONAL NUT M6	4	4										
	Q232040000	ARANDELA A6	WASHER A6	4	4										
	Q306024000	JUNTA18X12.5X1.5	SEAL 18X12.5X1.5	1	1										
	Q162070000	TUERCA EXAGONAL M12	HEXAGONAL NUT M12	1	1										
9	12022458	SOPORTE DERECHO BANDEJAS	RIGHT TRAY SUPPORT	1	1										
S/Nº	12022459	SOPORTE IZDO. BANDEJAS	LEFT TRAY SUPPORT	1	1										
10	12022559	BANDEJA COMPLETA	COMPLETE TRAY	4	4										
11	12022518	SOPORTE CENTRAL BANDEJAS	TRAY SUPPORT CENTRAL	1	1										
12	12024174	PERFIL GOMA ESPONJOSA	FOAM RUBBER PROFILE	1	1										
13	12022724	PANEL FRONTAL SIN PUERTA	FRONT PANEL WITHOUT DOOR	1											
13	12022725	PANEL FRONTAL B SIN PUERTA	FRONT PANEL B WITHOUT DOOR		1										
	Q152004000	TORNIL, APLASTADO M5x13 A304	FLAT HEADED BOLT M5x13 A304	2	2										
14	12003593	ARMAZON COMPLETO	COMPLETE FRAME	1	1										
	Q221345000	REMACHE EXAGONAL M10	HEXAGONAL RIVET M10	4	4										
	Q221342000	REMACHE EXAGONAL M5	HEXAGONAL RIVET M5	16	16										

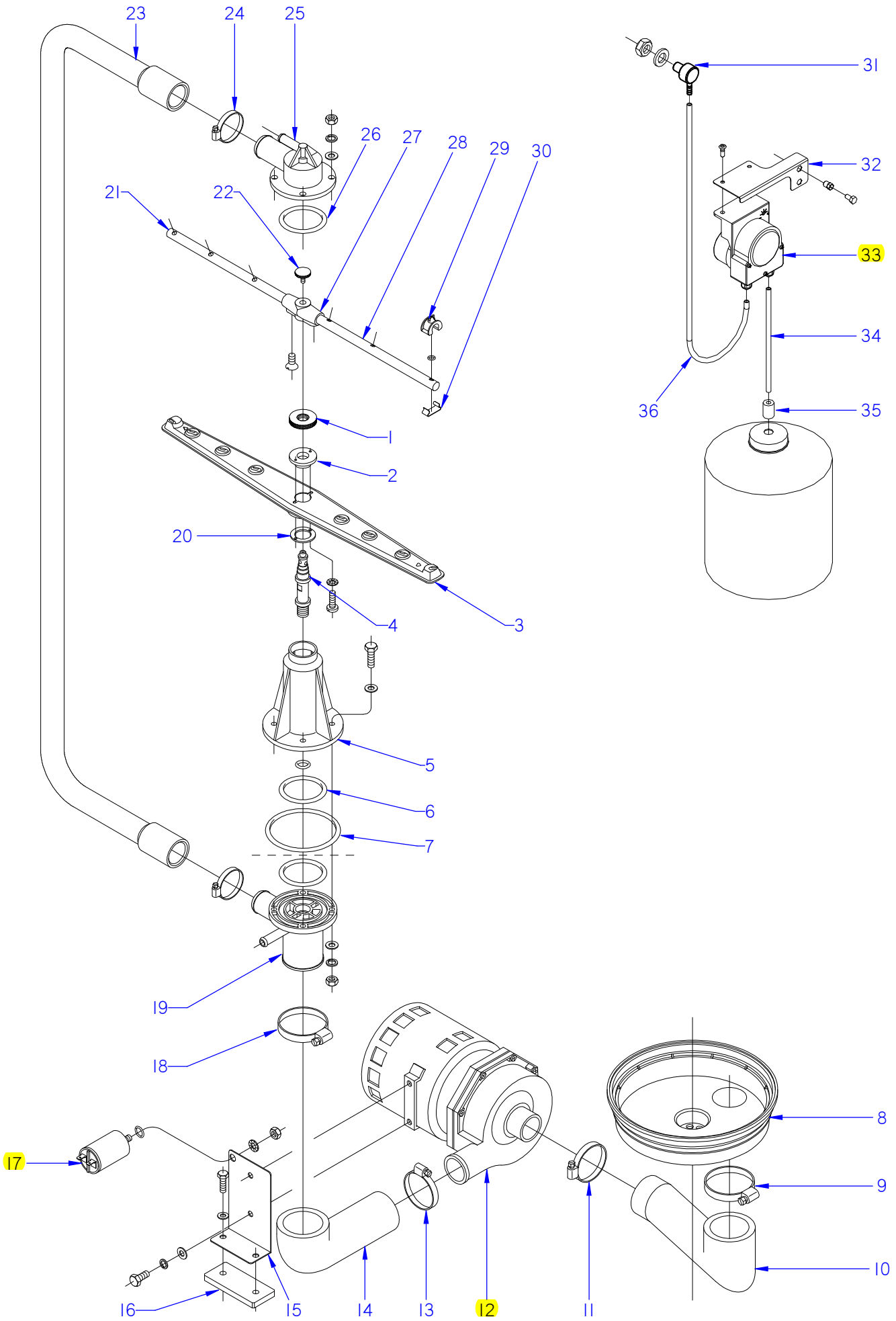
MOD.		LAVAVAJILLAS / DISWASHER		ZONA / ZONE		MUEBLE / FITTING								PLANO DIAGRAM		C-3169
ITEM	CODIGO REFERENCE	DENOMINACION	DENOMINATION	EASY-500HP	EASY-500HP W B DD								ELIMINADO ELIMINATED	INTRODUCID. INTRODUCED	NOTAS	
15	12022560	PANEL LATERAL IZQUIERDO	LEFT SIDE PANEL	1	1											
S/Nº	12022563	PANEL LATERAL DERECHO	RIGHT SIDE PANEL	1	1											
	Q152004000	TORNIL, APLASTADO M5x13 A304	FLAT HEADED BOLT M5x13 A304	4	4											
16	12024163	PATA REGULABLE	ADJUSTABLE LEG	4	4											
17	12022395	PANEL POSTERIOR INFERIOR	REAR LOWER PANEL	1	—											
17	12022495	PANEL POSTERIOR INFERIOR B.T.	REAR LOWER PANEL L.V.	—	1											
	Q152004000	TORNIL, APLASTADO M5x13 A304	FLAT HEADED BOLT M5x13 A304	2	2											
18	12087153	CAJA SOLDADA	WELDED BOX	1	—											
18	12087157	CAJA SOLDADA ASBER BT	WELDED BOX ASBER BT	—	1											
	Q162040000	TUERCA EXAGONAL M6	HEXAGONAL NUT M6	8	8											
	Q302022000	ARANDELA 16X6X1.2 A.304	WASHER 16X6X1.2 A.304	8	8											
	Q262040000	ARANDELA GROW. A6 A.304	WASHER GROW. A6 A.304	8	8											
	Q228007000	TUERCA DE SOMBRERETE M.6	BOLT M6x10	8	8											
19	12022740	PANEL POSTERIOR ALU.FI-30	ALU.FI-30 REAR PANEL	1	1											
	Q152004000	TORNIL, APLASTADO M5x13 A304	FLAT HEADED BOLT M5x13 A304	4	4											



ITEM MARCADO EN COLOR = REPUESTO RECOMENDADO
 COLOURED ITEM = RECOMMENDED SPARE PART

N plano	Firma	Fecha	Aparato	PUERTA / DOOR	Lamina	
C-3170	name (signature)	2013-12	LAVAVAJILLAS EASY-500		3	

MOD.		LAVAVAJILLAS / DISWASHER		ZONA / ZONE		PUERTA / DOOR					PLANO DIAGRAM		C-3170	
ITEM	CODIGO REFERENCE	DENOMINACION	DENOMINATION	EASY-500	EASY-500 B	EASY-500 DD	EASY-500HP	EASY-500HP W B DD				ELIMINADO ELIMINATED	INTRODUCID. INTRODUCED	NOTAS
1	12003661	PUERTA SOLDADA	WELDED DOOR	1	1	1	1	1						
S/Nº	12009180	ASA AF NEGRA	BLACK HANDLE	1	1	1	1	1						
	Q032041000	TORNILLO ALOMADO M6X10	CURVED SCREW M6x10	2	2	2	2	2						
	Q308002000	ARANDELA DUBO A6 NYLON	WASHER DUBO A6 NYLON	2	2	2	2	2						
	Q232040000	ARANDELA PLANA INOX 6MM DIN1	WASHER STEELNOX 6MM DIN125	2	2	2	2	2						
2	12024303	IMAN	MAGNET	1	1	1	1	1						
3	12024094	PROTECTOR IMAN	MAGNET PROTECTOR	1	1	1	1	1						
4	12022324	BISAGRA IZQUIERDA T-C.	LEFT HINGE T-C.	1	1	1	1	1						
S/Nº	12022325	BISAGRA DERECHA T-C.	RIGHT HINGE T-C.	1	1	1	1	1						
	Q012042000	TORNIL. EXAGONAL M6X15 A.304	HEXAGONAL BOLT M6X15 A.304	4	4	4	4	4						
	Q232040000	ARANDELA A6	WASHER A6	4	4	4	4	4						
	Q262040000	ARANDELA GROW. A6 A.304	WASHER GROW. A6 A.304	4	4	4	4	4						
	Q162040000	TUERCA EXAGONAL M6	HEXAGONAL NUT M6	2	2	2	2	2						
5	12024071	EJE PUERTA	DOOR SHAFT	2	2	2	2	2						
6	12023842	VARILLA TENSOR	TENSIONING ROD	1	1	1	1	1						
7	12024295	MARCO PUERTA	DOOR FRAME	2	2	2	2	2						
	Q412000000	REMACHE TUBULAR 4 x 8	TUBULAR RIVET 4 x 8	6	6	6	6	6						
	Q012042000	TORNIL. EXAGONAL M6X15 A.304	HEXAGONAL BOLT M6X15 A.304	2	2	2	2	2						
8	12024299	TENSOR PUERTA	DOOR TENSOR	2	2	2	2	2						
	Q222012000	TUERCA AUTOB. M6	SELF-LOCK NUT M6	2	2	2	2	2						
9	12024180	SOPORTE TENSOR	TENSOR SUPPORT	2	2	2	2	2						
	Q162030000	TUERCA EXAGONAL M5	HEXAGONAL NUT M5	4	4	4	4	4						
	Q152004000	TORNIL, APLASTADO M5x13 A304	FLAT HEADED BOLT M5x13 A304	4	4	4	4	4						
	Q232030000	ARANDELA A5	WASHER A5	4	4	4	4	4						
	Q262030000	ARANDELA GROW. A5 A.304	WASHER GROW. A5 A.304	4	4	4	4	4						
10	12003212	CONJUNTO CIERRE PUER.T-CO	LOCK UNIT DOOR T-CO	2	2	2	2	2						
	Q222012000	TUERCA AUTOB. M6	SELF-LOCK NUT M6	4	4	4	4	4						
11	12024235	ENGANCHE CIERRE	LOCK LATCH	2	2	2	2	2						
	Q232030000	ARANDELA A5	WASHER A5	2	2	2	2	2						

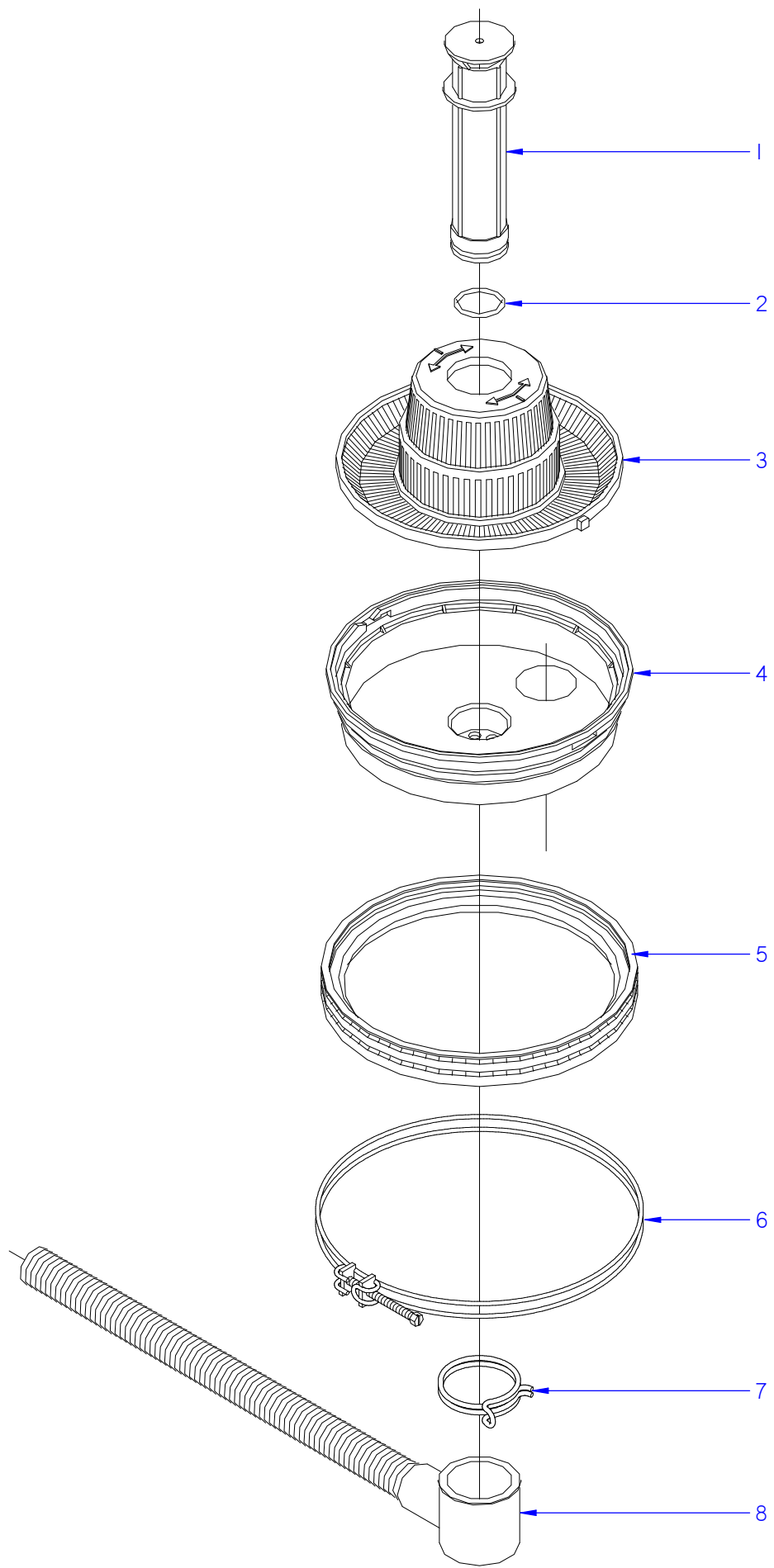


ITEM MARCADO EN COLOR = REPUESTO RECOMENDADO
 COLOURED ITEM = RECOMMENDED SPARE PART

N plano	Firma	Fecha	Aparato	PARTE FUNCIONAL LAVADO / WASH FUNCTIONAL PART	Lamina	
C-3171	<i>name Benfor</i>	2013-12	LAVAVAJILLAS	EASY-500	4	

MOD.	LAVAVAJILLAS / DISWASHER		ZONA / ZONE	PARTE FUNCIONAL LAVADO WASH FUNCTIONAL PART					PLANO DIAGRAM		C-3171		
ITEM	CODIGO CODE	DENOMINACION	NAME	EASY-500	EASY-500 B	EASY-500 DD	EASY-500HP	EASY-500HP W B DD			ELIMINADO ELIMINATED	INTRODUCID. INTRODUCED	NOTAS
1	12024375	TUERCA ESPECIAL M.14X1	SPECIAL NUT M.14X1	2	2	2	2	2					
2	12045103	ENGANCHE DISTRIBUIDOR	DISTRIBUTOR HOOK	2	2	2	2	2					
3	12025122	DISTRIBUIDOR MONTADO	DISTRIBUTOR MOUNTED	2	2	2	2	2					
4	12023844	EJE CENTRAL	CENTRAL SHAFT	2	2	2	2	2					
5	12024480	SOPORTE DISTRIBUID. INFERIOR	LOWER DISTRIBUTOR SUPPORT	1	1	1	1	1					
	12009837	JUNTA TOR.13.94X19.18X2.6	O-RING 13.94X19.18X2.6	1	1	1	1	1					
	Q012046000	TORNIL. EXAGONAL M6X40 A.304	HEXAGONAL BOLT M6X40 A.304	4	4	4	4	4					
6	12010079	JUNTA TOR.50.17X60.83X5.3	O-RING 50.17X60.83X5.3	2	2	2	2	2					
7	12009976	JUNTA TOR.85.09X95.75X5.3	O-RING 85.09X95.75X5.3	1	1	1	1	1					
8	12024367	CUBETA	TRAY	1	1	1	1	1					
9	12009933	ABRAZADERA 50-70L	CLAMP 50-70L	1	1	1	1	1					
10	12023683	CODO ASPIRACION 1003018	EXTRACTOR ELBOW 1003018	1	1	1	1	1					
11	12009962	ABRAZADERA 40-60	CLAMP 40-60	1	1	1	1	1					
12	12024265	BOMBA DE LAVADO	WASH PUMP	1	1	1	1	1					
12	12024270	BOMBA DE LAVADO 60 HZ.	WASH PUMP 60 Hz.	1	1	1	1	1					
13	Q881307000	ABRAZADERA 40-60	CLAMP 40-60	1	1	1	1	1					
14	12023689	CODO IMPULSION 1003017	IMPULSE ELBOW 1003017	1	1	1	1	1					
15	12022393	SOPORTE MOTOBO.F-3-4-5-6	MOTORPUMP SUPPORT F-3-4-5-6	1	1	1	1	1					
16	12023556	BASE BOMBA LAVADO 1003016	WASH PUMP BASE 1003016	1	1	1	1	1					
	Q012033000	TORNIL. EXAGONAL M5X20 A.304	HEXAGONAL BOLT M5X20 A.304	2	2	2	2	2					
	Q232030000	ARANDELA A5	WASHER A5	2	2	2	2	2					
17	12024376	CONDENSADOR 10 M.F.	CONDENSER 10 M.F.	1	1	1	1	1					
	12010256	JUNTA TORICA 9.12X16.18X3.53	O-RING 9.12x16.18x3.53	1	1	1	1	1					
	Q162050000	TUERCA EXAGONAL M8x1 INOX.	HEXAGONAL NUT M8x1 INOX.	1	1	1	1	1					
18	Q881324000	ABRAZADERA 50-70L	CLAMP 50-70L	1	1	1	1	1					
19	12023613	PASAMUROS	BUSHING	1	1	1	1	1					
	Q232040000	ARANDELA A6	WASHER A6	4	4	4	4	4					
	Q162040000	TUERCA EXAGONAL M6	HEXAGONAL NUT M6	4	4	4	4	4					
20	12024289	AMARRE ENGANCHE DISTRIBUID.	DISTRIBUTOR HOOK FASTENING	2	2	2	2	2					
	Q152015000	TORNILLO ALOMADO M3X6	CURVED SCREW M3X6	4	4	4	4	4					
	Q242010000	ARANDELA ABANICO A.3 A304	FAN WASHER A3 A304	4	4	4	4	4					

MOD.		LAVAVAJILLAS / DISWASHER		ZONA / ZONE		PARTE FUNCIONAL LAVADO WASH FUNCTIONAL PART					PLANO DIAGRAM		C-3171	
ITEM	CODIGO CODE	DENOMINACION	NAME	EASY-500	EASY-500 B	EASY-500 DD	EASY-500HP	EASY-500HP W B DD				ELIMINADO ELIMINATED	INTRODUCID. INTRODUCED	NOTAS
21	12023524	RAMA DE ACLARADO IZQUIERDA	LEFT RINSE BRANCH	2	2	2	2	2						
22	12009829	TORNILLO ESPECIAL M.5X0.8	SPECIAL BOLT M.5X0.8	2	2	2	2	2						
23	12023699	ARBOL DE LAVADO	WASH CAM	1	1	1	1	1						
24	12009997	ABRAZADERA 25-40	CLAMP 25-40	2	2	2	2	2						
25	12024471	SOPORTE DISTRIBUIDOR SUPER.	UPPER DISTRIBUTION SUPPORT	1	1	1	1	1						
	Q232040000	ARANDELA A6	WASHER A6	4	4	4	4	4						
	Q262040000	ARANDELA GROW. A6 A.304	WASHER GROW. A6 A.304	4	4	4	4	4						
	Q162040000	TUERCA EXAGONAL M6	HEXAGONAL NUT M6	4	4	4	4	4						
26	12010079	JUNTA TOR.50.17X60.83X5.3	O-RING 50.17X60.83X5.3	1	1	1	1	1						
27	12024470	SOPORTE RAMAS ACLARADO	RINSE BRANCH SUPPORT	2	2	2	2	2						
	Q042021000	TORN. AVELLANADO M4X10 A.304	COUNTERSUNK SCREW M4X10	4	4	4	4	4						
28	12023527	RAMA DE ACLARADO DERECHA	RIGHT RINSE BRANCH	2	2	2	2	2						
29	12024077	TOBERA ACLARADO	RINSE NOZZLE	12	12	12	12	12						
	12009912	JUNTA TORICA 5.28X8.84X1.78	O-RING 5.28X8.84X1.78	12	12	12	12	12						
30	12045103	ENGANCHE TOBERA ACLARADO	RINSE NOZZLE HOOK	12	12	12	12	12						
31	12024531	PASAMUROS INOX DETERGENTE	INOX DETERGENT WALL BUSHIN	-	-	1	-	1						
	12010260	JUNTA Ø18X12.5X1.5	SEAL Ø18X12.5X1.5	-	-	1	-	1						
32	12022227	SOPORTE DOSIFICADOR W	FEEDER SUPPORT W	-	-	1	-	1						
	Q411304000	REMACHE AVIBULB Ø4,8	AVIBULB Ø4,8 RIVET	-	-	2	-	2						
	Q012031000	TORNIL. EXAGONAL M5X10 A.304	HEXAGONAL BOLT M5X10 A.304	-	-	2	-	2						
	Q232030000	ARANDELA A5	WASHER A5	-	-	2	-	2						
	Q162030000	TUERCA EXAGONAL M5	HEXAGONAL NUT M5	-	-	2	-	2						
33	12024216	DOSIFI. DGTE REGULABLE G300	DETERGENT DISP. ADJUST. G300	-	-	1	-	-						
33	12024274	DOSIFI. DGTE. ABRILLANTA. G650	DOSE DETERGENT POLISHING G	-	-	-	-	1						
34	12024139	CONDUCTO ASPIRACIÓN	DUCT INTAKE	-	-	1	-	1						
35	12024353	PESO FILTRO	FILTER WEIGHT	-	-	1	-	1						
36	11000079	CONDUCTO DOSIF. TRANSPAREN	TRANSPAR. EXTRACTOR PIPE	-	-	1	-	1						



ITEM MARCADO EN COLOR = REPUESTO RECOMENDADO
 COLOURED ITEM = RECOMMENDED SPARE PART

N plano	Firma	Fecha	Aparato	PARTE FUNCIONAL DESAGÜE / DRAINAGE FUNCTIONAL PART	Lamina	
C-3172	<i>name Benfor</i>	2013-12	LAVAVAJILLAS EASY-500	5		

MOD.

LAVAVAJILLAS / DISWASHER

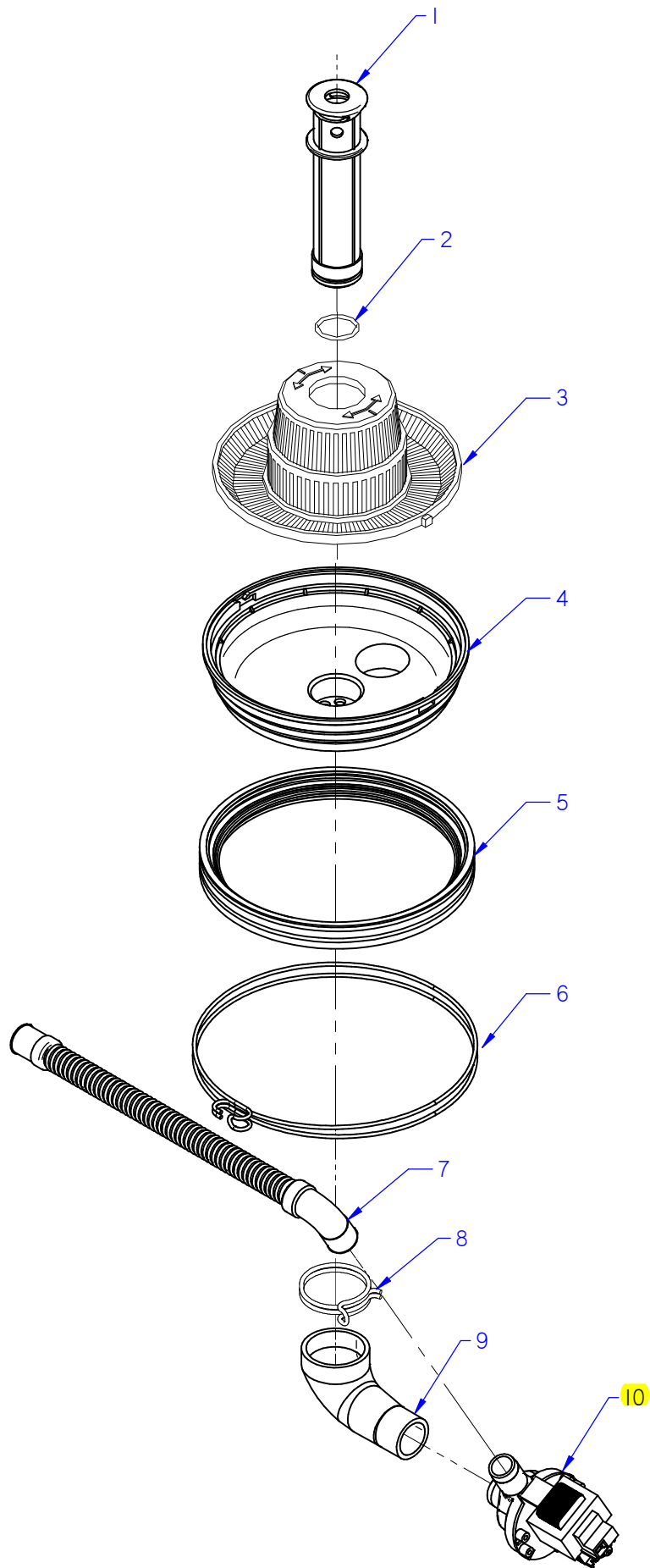
ZONA / ZONE

PARTE FUNCIONAL DESAGÜE
DRAINAGE FUNCTIONAL PART

PLANO
DIAGRAM

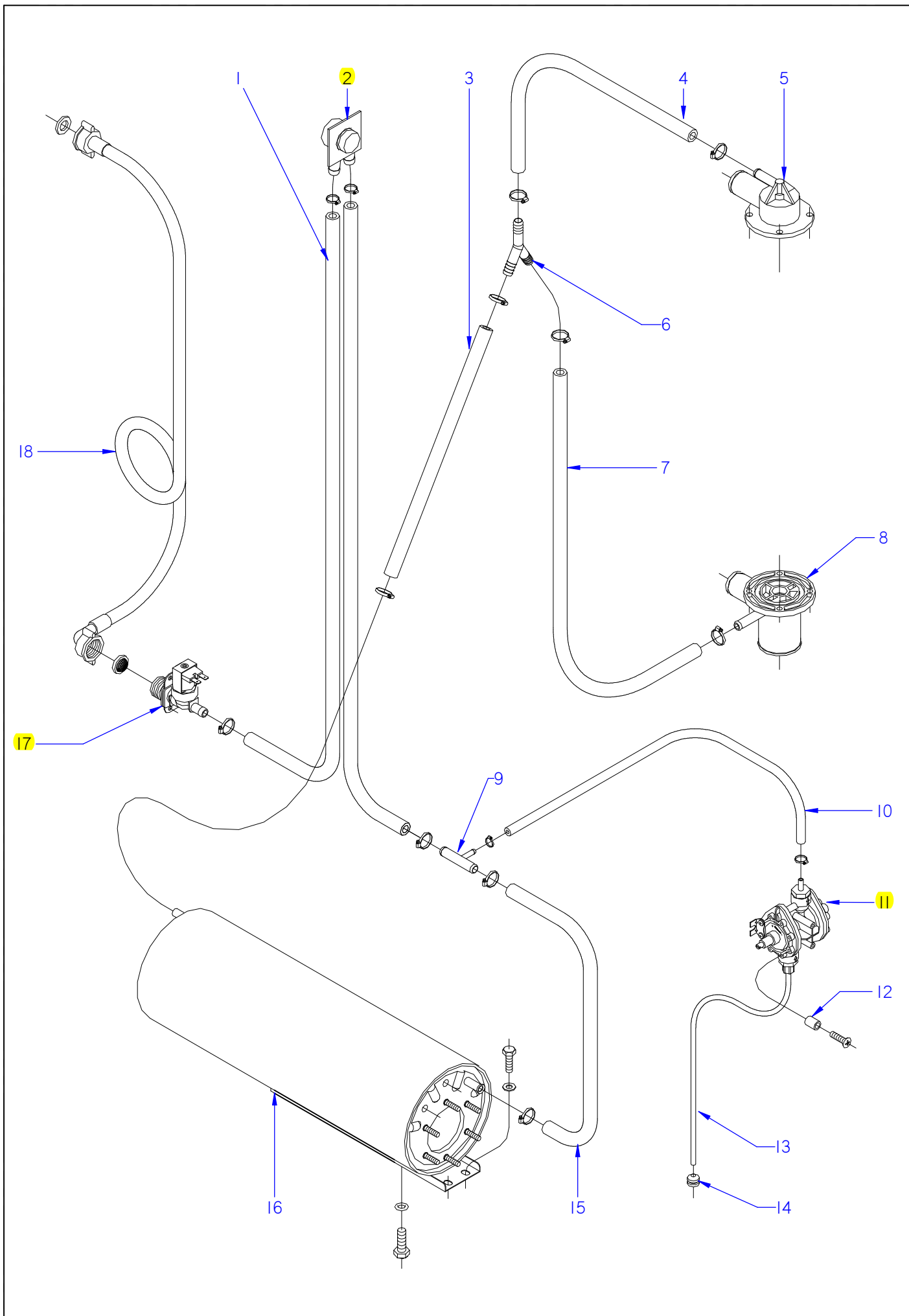
C-3172

ITEM	CODIGO REFERENCE	DENOMINACION	DENOMINATION	EASY-500	EASY-500 DD	EASY-500HP						ELIMINADO ELIMINATED	INTRODUCID. INTRODUCED	NOTAS
1	12024323	ALIVIADERO	OVERFLOW	1	1	1								
2	12010165	JUNTA TOR.36.17X41.41X2.6	O-RING 36.17X41.41X2.6	1	1	1								
3	12024410	CONJUNTO FILTRO AF.	FILTER AF.	1	1	1								
4	12024367	CUBETA	TRAY	1	1	1								
5	12024556	JUNTA CUBETA	TRAY SEAL	1	1	1								
6	12023841	ABRAZADERA CUBETA COMPL.	TRAY CLAMP	1	1	1								
7	12007966	ABRAZAD. ELAST. 56-58.8	ELASTIC CLAMP 56-58.8	1	1	1								
8	12024473	MANGUERA DESAGUE	DRAINAGE HOSE	1	1	1								



ITEM MARCADO EN COLOR = REPUESTO RECOMENDADO
 COLOURED ITEM = RECOMMENDED SPARE PART

N plano	Firma	Fecha	Aparato	PARTE FUNCIONAL DESAGÜE / DRAINAGE FUNCTIONAL PART	Lamina	
C-3173	<i>name Benfor</i>	2013-12	LAVAVAJILLAS EASY-500 B	6		



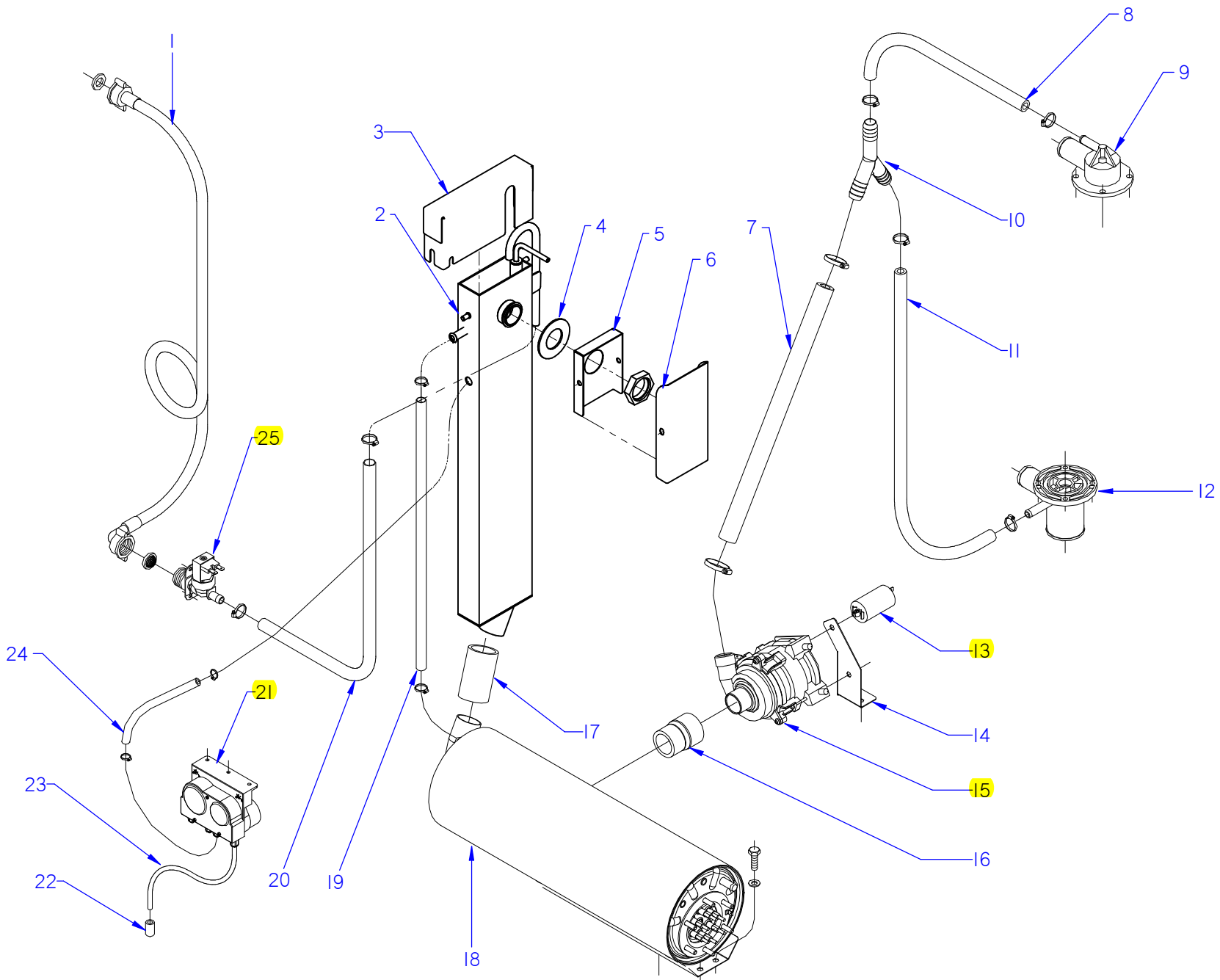
ITEM MARCADO EN COLOR = REPUESTO RECOMENDADO
 COLOURED ITEM = RECOMMENDED SPARE PART

N plano C-3174	Firma <i>name Benfor</i>	Fecha 2013-12	Aparato PARTE FUNCIONAL ACLARADO / RINSE FUNCIONAL PART LAVAVAJILLAS EASY-500	Lamina 7	
--------------------------	-----------------------------	-------------------------	--	--------------------	---

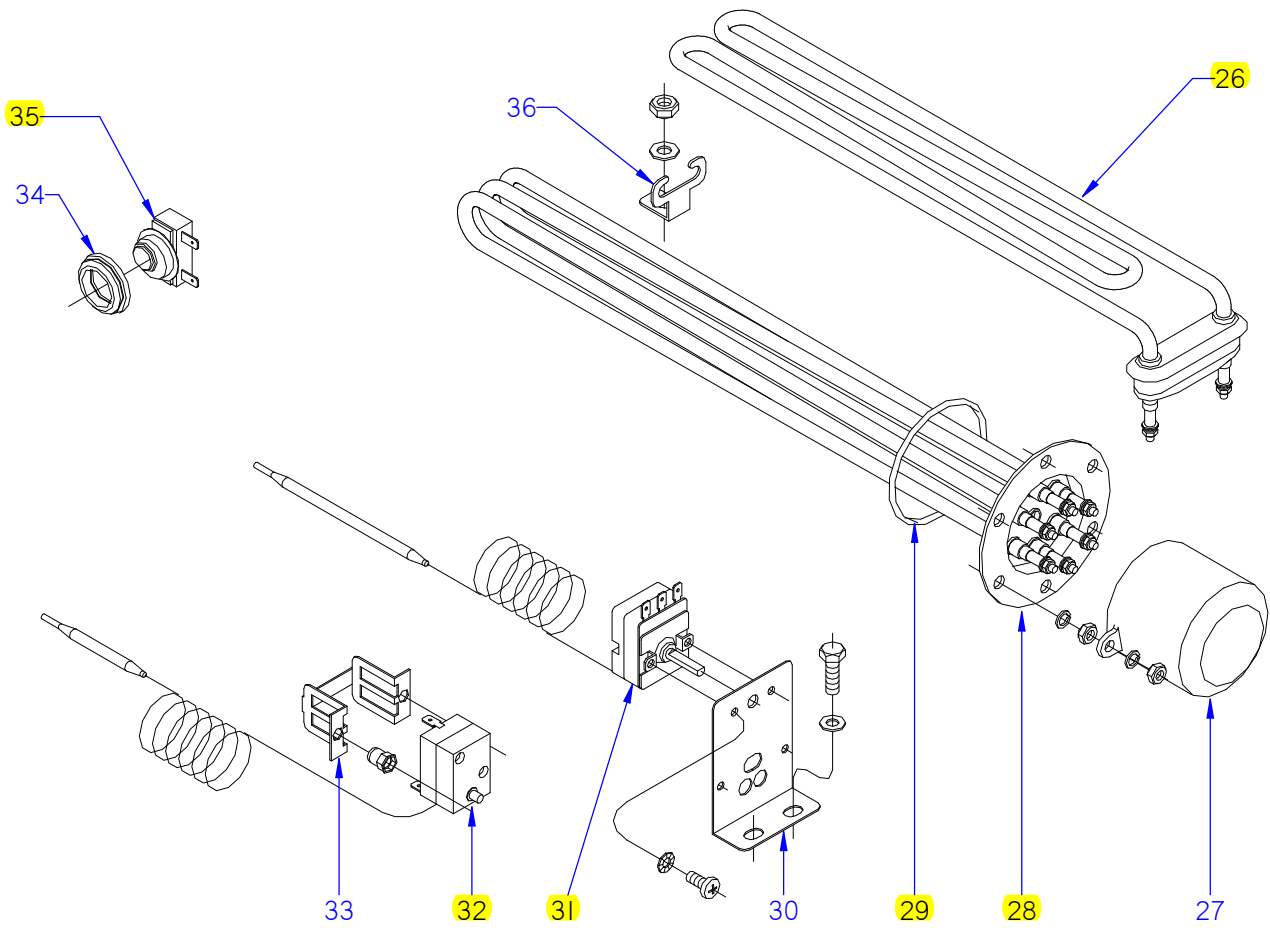
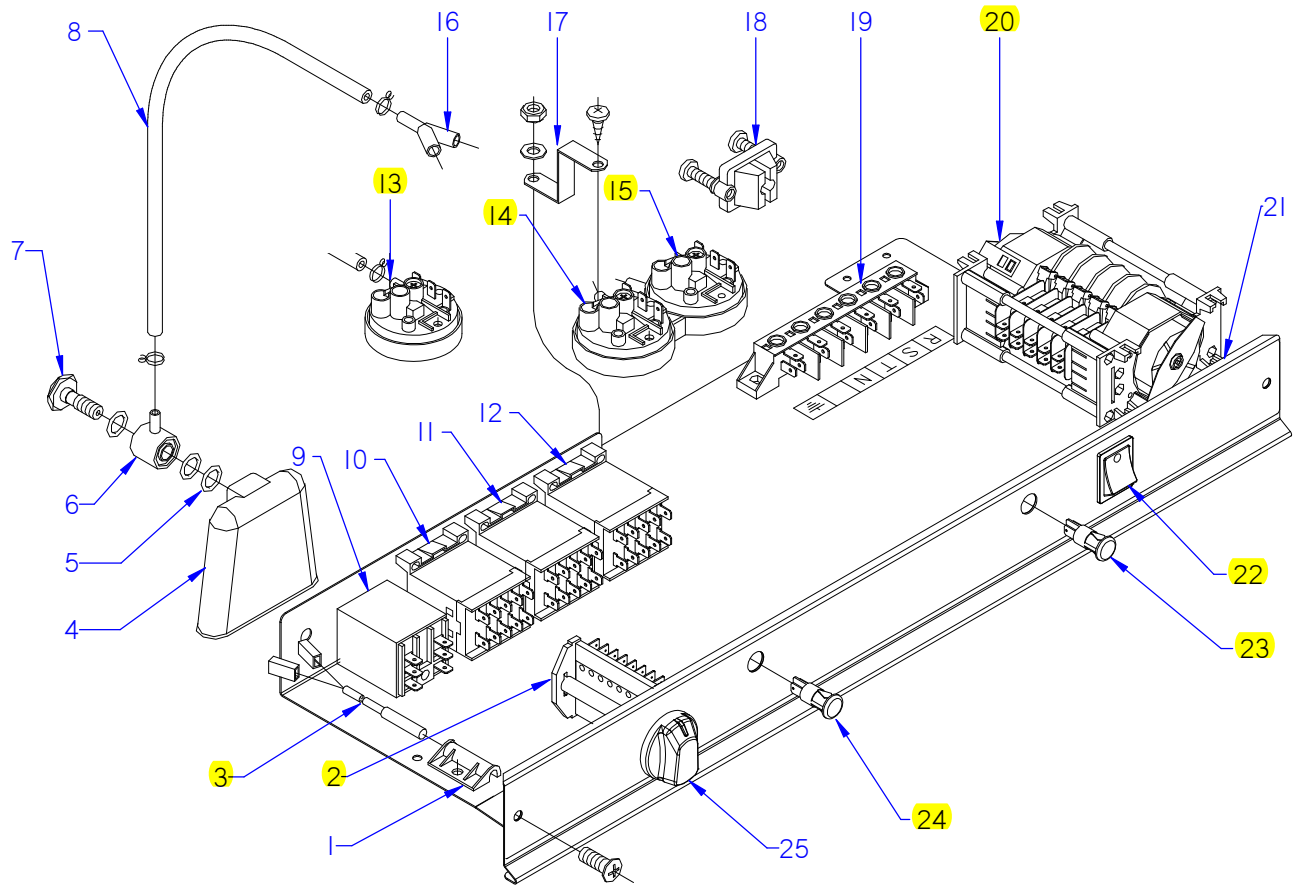
MOD.		LAVAVAJILLAS / DISWASHER		ZONA / ZONE		PARTE FUNCIONAL ACLARADO RINSE FUNCTIONAL PART				PLANO DIAGRAM		C-3174		
ITEM	CODIGO CODE	DENOMINACION	NAME	EASY-500	EASY-500 B	EASY-500 DD	EASY-500HP					ELIMINADO ELIMINATED	INTRODUCID. INTRODUCED	NOTAS
1	11000083	TUBO GOMA NEGRA Ø 17*10	BLACK RUBBER PIPE Ø17*10	2	2	2	2							
	12010036	ABRAZADERA 12-20	CLAMP 12/20	4	4	4	4							
2	12024568	VALVULA ANTIRRETORNO	NON-RETURN VALVE	1	1	1	1							
	12010036	ABRAZADERA 12/20	CLAMP 12/20	2	2	2	2							
3	11000083	TUBO GOMA NEGRA Ø 17*10	BLACK RUBBER PIPE Ø17*10	1	1	1	1							
	12010036	ABRAZADERA 12-20	CLAMP 12/20	2	2	2	2							
4	11000083	TUBO GOMA NEGRA Ø 17*10	BLACK RUBBER PIPE Ø17*10	1	1	1	1							
	12010036	ABRAZADERA 12-20	CLAMP 12/20	2	2	2	2							
5	12024471	SOPORTE DISTRIB. SUPERIOR	UPPER DISTRIB. SUPPORT	1	1	1	1							
6	12023511	RACORD EN Y	Y CONNECTION	1	1	1	1							
7	11000083	TUBO GOMA NEGRA Ø 17*10	BLACK RUBBER PIPE Ø17*10	1	1	1	1							
	12010036	ABRAZADERA 12-20	CLAMP 12/20	1	1	1	1							
8	12023613	PASAMUROS	WALL BUSHING	1	1	1	1							
	12010036	ABRAZADERA 12-20	CLAMP 12/20	1	1	1	1							
9	12025288	TOMA PRESION	PRESSURE INTAKE	1	1	1	1							
10	11000070	TUBO GOMA NEGRO Ø 10,5*5	BLACK RUBBER PIPE Ø 10,5*5	1	1	1	1							
	12010047	ABRAZADERA 8-14L	CLAMP 8-14L	2	2	2	2							
11	12045206	DOSIFICADOR_ABRILLANTADOR_	RINSE AID DISPENSER	1	1	1	1							
12	12024067	CASQUILLO	CASE	2	2	2	2							
	Q041324000	TORN. AVELLA. M4x25 H.ZINCADO	COUNTERSUNK BOLT M4x25	2	2	2	2							
13	12025178	CONDUCTO ABRILLANTADOR	POLISH DUCT	1	1	1	1							
14	12024353	PESO FILTRO	FILTER WEIGHT	1	1	1	1							
15	11000083	TUBO GOMA NEGRA Ø 17*10	BLACK RUBBER PIPE Ø17*10	1	1	1	1							
	12010036	ABRAZADERA 12-20	CLAMP 12/20	2	2	2	2							
16	12022943	CALDERIN COMPLETO	COMPL. BOILER	1	1	1	1							
	Q012063000	TORNIL. EXAGONAL M10x20 A.304	HEXAGONAL BOLT M10x20 A304	1	1	1	1							
	Q307048000	JUNTA TORICA Ø9.12X16.18X3.53	O-RING Ø9.12X16.18X3.53	1	1	1	1							
	Q012031000	TORNIL. EXAGONAL M5x10 A.304	HEXAGONAL BOLT M5x10 A.304	2	2	2	2							
	Q232030000	ARANDELA A5	WASHER A5	2	2	2	2							
17	12025161	ELECTR. SIMP.220V COD.255.208	SIMPLE SOLENOID VALVE	1	1	1	1							
18	12024115	MANGUERA ENTRADA AGUA	WATER INTAKE HOSE	1	1	1	1							

N plano	Firma	Fecha	Aparato	Lamina
C-3175		2013-12	LAVAVAJILLAS EASY-500 HP W	8

PARTE FUNCIONAL AC/LARADO / RINSE FUNCIONAL PART
ITEM MARCADO EN COLOR = REPUESTO RECOMENDADO
COLOURED ITEM = RECOMMENDED SPARE PART



MOD.		LAVAVAJILLAS / DISWASHER	ZONA / ZONE	PARTE FUNCIONAL ACLARADO RINSE FUNCTIONAL PART							PLANO DIAGRAM	C-3175	
ITEM	CODIGO CODE	DENOMINACION	NAME	EASY-500HP W B DD							ELIMINADO ELIMINATED	INTRODUCID. INTRODUCED	NOTAS
1	12024115	MANGUERA ENTRADA AGUA	WATER INTAKE HOSE	1									
2	12087160	DEPÓSITO COMPLETO	COMPLETE TANK	1									
3	12049938	TAPA INTERIOR DEPOSITO	TANK INNER COVER	1									
4	12023554	JUNTA RETENCION VAPORES	STEAM RETAINER SEAL	1									
5	12022376	CUBIERTA PASAMUROS INTER.	INTER. BUSHING COVER	1									
	12009831	CONTRATUERCA 1 LATON	COUNTERNUT 1 BRASS	1									
6	12022421	CUBIERTA PASAMUROS EXTER.	EXTER. BUSHING COVER	1									
	12009970	REMACHE EXAGONAL M5 INOX.	HEXAGONAL RIVET M5 INOX	2									
	12010242	TORNIL, APLASTADO M5x13 A304	FLAT HEADED BOLT M5x13 A304	2									
7	12023763	MANGUERA ENJUAGUE BOMBA	RINSE PUMP HOSE	1									
8	11000083	TUBO GOMA NEGRA Ø 17*10	BLACK RUBBER PIPE 17*10	1									
	12010036	ABRAZADERA 12-20	CLAMP 12-20	2									
9	12024471	SOPORTE DISTRIBUIDOR SUPER.	UPPER DISTRIB. SUPPORT	1									
10	12023511	RACORD EN Y	Y-CONNECTION	1									
11	11000083	TUBO GOMA NEGRA Ø 17*10	BLACK RUBBER PIPE 17*10	1									
	12010036	ABRAZADERA 12-20	CLAMP 12-20	2									
12	12023613	PASAMUROS	BUSHING	1									
13	12023600	CONDENSADOR 400V VDE	CONDENSER 400V VDE	1									
14	12022169	SOPORTE BOMBA HANNING	HANNING SUPPORT RINSE	1									
	12010163	REMACHE EXAGONAL M5	HEXAGONAL RIVET M5	4									
	12009944	ARANDELA A5	WASHER A5	2									
	12010238	TORNILLO EXAGONAL M5x10	HEXAGONAL BOLT M5x10	2									
15	12024233	BOMBA ACLARADO HANNING	RINSE PUMP	1									
16	12024437	MANGUITO REDUCCIÓN	REDUCTION HOSE	1									
17	12024439	MANGUITO CONEXIÓN	CONNECTION HOSE	1									
	12009986	ABRAZADERA 32-50 L	CLAMP 32-50 L	2									
18	12022973	CALDERIN COMPLETO BBT	COMPLETE DRUM BBT	1									
19	11000083	TUBO GOMA NEGRA Ø 17*10	BLACK RUBBER PIPE 17*10	1									
	12010036	ABRAZADERA 12-20	CLAMP 12-20	2									
20	11000083	TUBO GOMA NEGRA Ø 17*10	BLACK RUBBER PIPE 17*10	1									
	12010036	ABRAZADERA 12-20	CLAMP 12-20	2									



ITEM MARCADO EN COLOR = REPUESTO RECOMENDADO
 COLOURED ITEM = RECOMMENDED SPARE PART

N plano	Firma	Fecha	Aparato	PARTE FUNCIONAL ELECTRICA / ELECTRICS FUNCTIONAL PART	Lamina	
C-3176	name Benfor	2013-12	LAVAVAJILLAS EASY-500	9		

MOD.		LAVAVAJILLAS / DISWASHER		ZONA / ZONE		PARTE FUNCIONAL ELECTRICA ELECTRICS FUNCTIONAL PART					PLANO DIAGRAM		C-3176	
ITEM	CODIGO REFERENCE	DENOMINACION	DENOMINATION	EASY-500	EASY-500 B	EASY-500 DD	EASY-500HP	EASY-500HP W B DD				ELIMINADO ELIMINATED	INTRODUCID. INTRODUCED	NOTAS
1	12024066	AMARRE INTERRUP. MAGNETICO	MAGNETIC SWITCH FASTENER	1	1	1	1	1						
	Q152004000	TORNIL, APLASTADO M5x13 A304	FLAT HEADED BOLT M5x13 A304	1	1	1	1	1						
	Q232030000	ARANDELA A5	WASHER A5	1	1	1	1	1						
	Q162030000	TUERCA EXAGONAL M5	HEXAGONAL NUT M5	1	1	1	1	1						
2	12024445	CONMUTADOR DE FUNCIONES	FUNCTIONS SWITCH	1	1	1	1	1						
3	12024477	INTERRUPTOR MAGNETICO	MAGNETIC SWITCH	1	1	1	1	1						
4	12024350	CAMARA PRESOSTATO	PRESSURE SWITCH	1	1	1	1	1						
5	12009873	JUNTA TORICA 16.01X10.77X2.62	O-RING 16.01X10.77X2.62	3	3	3	3	3						
6	12024157	EMPALME PRESOSTATO	PRESSURE SWITCH CONNEX	1	1	1	1	1						
7	12024222	TORNILLO PRESOSTATO	PRESSURE SWITCH BOLT	1	1	1	1	1						
8	11000066	TUBO GOMA NEGRO Ø 8*4	BLACK RUBBER PIPE Ø 8*4	1	1	1	1	1						
	12023707	BRIDA ELASTICA TUBO	ELASTIC PIPE FLANGE	2	2	2	2	2						
9	12023706	RELE 230V. 16A 50-60 HZ	RELAY 230V. 16A 50-60 HZ	1	1	1	1	1						
	Q162050000	TUERCA EXAGONAL M8x1 INOX.	HEXAGONAL NUT M8x1 INOX.	1	1	1	1	1						
	Q261050000	ARANDELA MUELLE A8	WASHER A8	1	1	1	1	1						
10	12024040	CONTACTOR 230 V. 50-60 HZ 20A	CONTACTOR 230 V 50-60HZ 20A	2	2	2	1	1						
11	12024011	CONTACTOR 230 V. 50-60 HZ 16A	CONTACTOR 230 V 50-60HZ 16A	-	-	-	2	1						
12	12024012	CONTACTOR 230V AC 50/60Hz16A	CONTACTOR 230V AC 50/60Hz	-	-	-	-	1						
13	12024269	PRESOSTATO TRIPLE 9,50-15bar	TRIPLE PRESSURE SWITCH	-	-	-	-	1						
14	12023802	PRESOSTATO SIMPLE 2-4,00bar	SIMPLE PRESSURE SWITCH	1	1	1	1	1						
15	12023805	PRESOSTATO SIMPLE 7,50-9,50bar	SIMPLE PRESSURE SWITCH	-	1	-	-	1						
16	12023510	RACORD EN Y	Y-CONNECTION	-	1	-	-	1						
17	12023163	SOPORTE PRESOSTATO	PRESSURE SWITCH SUPPORT	1	1	1	1	1						
	Q082032000	TORNILLO ALOMADO BZ-3,5X9,5	CURVED SCREW BZ-3.5x9.5	1	1	1	1	1						
	Q232030000	ARANDELA A5	WASHER A5	1	1	1	1	1						
	Q162030000	TUERCA EXAGONAL M5	HEXAGONAL NUT M5	1	1	1	1	1						
18	12024230	RETENEDOR DE CABLE	CABLE HOLDER	1	1	1	1	1						
19	12025183	REGLETA AUXILIAR FV-122	AUXILIARY TERMINAL STRIP FV-	1	1	1	1	1						
	Q152004000	TORNILLO APLASTADO M5x13	FLAT HEAD SCREW M5X13	2	2	2	2	2						
	Q232030000	ARANDELA A5	WASHER A5	2	2	2	2	2						
	Q162030000	TUERCA EXAGONAL M5	HEXAGONAL NUT M5	2	2	2	2	2						

MOD.		LAVAVAJILLAS / DISWASHER		ZONA / ZONE		PARTE FUNCIONAL ELECTRICA ELECTRICS FUNCTIONAL PART					PLANO DIAGRAM		C-3176	
ITEM	CODIGO REFERENCE	DENOMINACION	DENOMINATION	EASY-500	EASY-500 B	EASY-500 DD	EASY-500HP	EASY-500HP W B DD				ELIMINADO ELIMINATED	INTRODUCID. INTRODUCED	NOTAS
20	12024873	PROGRAMADOR CICLO	CYCLE PROGRAMMER	1	1	1	-	-						
20	12024177	PROGRAMADOR 230V AC 50Hz 16	PROGRAMMER 230V AC 50Hz 16	-	-	-	1	-						
20	12024204	PROGRAMADOR CICLO (5 levas)	CYCLE PROGRAMMER	-	-	-	-	1						
	12024067	CASQUILLO	BUSHING	2	2	2	2	2						
21	12022667	FRENTE EXTRAIBLE ASPES	COMPLETE FRONT	1	1	1	1	1						
S/Nº	12049906	EMBELL. ADHESIVO ASBER EASY	ADHESIVE TRIM ASBER EASY	1	1	1	1	1						
	Q152004000	TORNILLO APLASTADO M5x13	FLAT HEADED BOLT M5x13 A304	2	2	2	2	2						
22	12039115	PULSADOR 250V AC 16A 2vía 1po	BUTTON 250V AC 16A 2vía 1pos	1	1	1	1	1						
23	12024254	PILOTO AMBAR 41227000A4	AMBER PILOT 41227000A4	1	1	1	1	1						
24	12025211	PILOTO VERDE 41227000C7	GREEN PILOT 41227000C7	1	1	1	1	1						
25	12088623	BOTON DE MANDO EASY-500	CONTROL BUTTON EASY-500	1	1	1	-	-						
25	12088617	BOTON DE MANDO EASY-500HP	CONTROL BUTTON EASY-500HP	-	-	-	1	-						
25	12088615	BOTON DE MANDO EASY-500HP B	CONTROL BUTTON EASY500HPB	-	-	-	-	1						
26	12024645	RESISTENCIA TANQUE	TANK RESISTOR	1	1	1	1	1						
27	12024282	CAPERUZA RESISTEN. CALDERIN	DRUM RESIST. CAP	1	1	1	1	1						
	Q163140000	TUERCA EXAGONAL M6 LATON	HEXAGONAL NUT M6 BRASS	2	2	2	2	2						
	Q163140000	TUERCA EXAGONAL M6 LATON	HEXAGONAL NUT M6 BRASS	2	2	2	2	2						
	Q012031000	TORNIL. EXAGONAL M5x10 A.304	HEXAGONAL BOLT M5X10 A.304	2	2	2	2	2						
	Q232030000	ARANDELA A5	WASHER A5	2	2	2	2	2						
28	12024683	RESISTENCIA CALDERIN	DRUM RESISTOR	1	1	1	-	-						
28	12024732	RESISTENCIA CALDERIN	DRUM RESISTOR	-	-	-	1	1						
	Q221305000	TUERCA EX.AUTO M4 ZINCADA	HEXAGONAL NUT M4	6	6	6	6	6						
	Q163140000	TUERCA EXAGONAL M6 LATON	HEXAGONAL NUT M6 BRASS	6	6	6	6	6						
	Q262040000	ARANDELA GROW. A6 A.304	WASHER GROW. A6 A.304	6	6	6	6	6						
29	12010051	JUNTA TORICA AN-36 282333	O-RING AN-36 282333	1	1	1	1	1						
30	12022224	SOPORTE TERMOSTATOS	THERMOSTAT SUPPORT	1	1	1	1	1						
	Q012031000	TORNIL. EXAGONAL M5X10 A.304	HEXAGONAL BOLT M5X10 A.304	2	2	2	2	2						
	Q232030000	ARANDELA A5	WASHER A5	2	2	2	2	2						
31	12040858	TERMOSTATO CALDERIN	WASH DRUM THERMOSTAT	1	1	1	1	1						
32	12023830	LIMITADOR TECASA P.	LIMITER TECASA P.	1	1	1	1	1						

MOD.	LAVAVAJILLAS / DISWASHER	ZONA / ZONE	PARTE FUNCIONAL ELECTRICA ELECTRICS FUNCTIONAL PART	PLANO DIAGRAM	C-3176
-------------	---------------------------------	--------------------	--	--------------------------	---------------

ITEM	CODIGO REFERENCE	DENOMINACION	DENOMINATION	EASY-500	EASY-500 B	EASY-500 DD	EASY-500HP	EASY-500HP W B DD				ELIMINADO ELIMINATED	INTRODUCID. INTRODUCED	NOTAS
33	12022151	AMARRE LIMITADOR TECASA	LIMITER FASTENING TECASA	1	1	1	1	1						
	Q221341000	REMACHE EXAGONAL M4	HEXAGONAL RIVET M4	2	2	2	2	2						
	Q152024000	TORNIL. AVELLANADO M4X8 A304	COUNTERSUNK BOLT M4X8 A304	2	2	2	2	2						
34	12024049	SOPORTE TERMOSTATO 1001713	THERMOSTAT SUPPORT 1001713	1	1	1	1	1						
35	12023708	TERMOSTATO DOBLE	DOUBLE THERMOSTAT	1	1	1	1	1						
36	12022859	SOPORTE RESISTENCIA TANQUE	TANK RESISTOR SUPPORT	1	1	1	1	1						
	Q232040000	ARANDELA A6	WASHER A6	1	1	1	1	1						
	Q162040000	TUERCA EXAGONAL M6	HEXAGONAL NUT M6	1	1	1	1	1						

MOD.		LAVAVAJILLAS / DISWASHER			ZONA / ZONE		VARIOS / MISCELLANEOUS							PLANO DIAGRAM	
ITEM	CODIGO REFERENCE	DENOMINACION	DENOMINATION	EASY-500	EASY-500 B	EASY-500 DD	EASY-500HP	EASY-500HP W B DD				ELIMINADO ELIMINATED	INTRODUCID. INTRODUCED	NOTAS	
	12049932	FOLLETO INSTRUC. ASBER EASY	INSTRUC. LEAFLET ASBER EASY	1	1	1	1	1							
	12095833	ESQUEMA TEORI. ASBER EASY 50	THEOR. DIAGRAM ASBER EASY 5	1	1	1	-	-							
	12022104	ESQUEMA TEORICO FI-64B	THEOR. DIAGRAM ASBER FI-64B				1	-							
	12022106	ESQUEMA TEORICO FI-64 CLINIC	THEOR. DIAGRAM FI-64 CLINIC	-	-	-	-	1							
	12095807	PLANO DE MONTAJE EASY 500	ASSEMBLY PLAN EASY 500	1	1	1	-	-							
	12004619	PLANO MONTAJE FI-64 B	ASSEMBLY PLAN FI-64 B	-	-	-	1	-							
	12023145	PLANO MONTAJE FI-64 CLINIC	ASSEMBLY PLAN FI-64 CLINIC	-	-	-	-	1							
	12024701	INSTALACION ELECTRICA FI-30	ELECTRIC INSTALLATION FI-30	1	1	1	-	-							
	12024728	INSTALACION ELECTRICA FI-64B	ELECTRIC INSTALLATION FI-64B	-	-	-	1	1							
	12024498	CABLEADO FI-64B	WIRING FI-64B	1	1	1	1	-							
	12024314	CABLEADO DOSIFICADOR DTGTE	WIRE FEEDER DETERGENT	1	1	1	1	-							
	12023913	CABLE DE ALIMENTACION	POWER WIRING	1	1	1	-	-							
	12024651	CABLEADO MANGUERA-4X2.5MM2	WIRING HOSE 4X2.5MM2	-	-	-	1	1							
	12023990	CABLEADO HY-BBT48-64	WIRING HY-BBT48-64	-	-	-	-	1							
	12022100	LEYENDA LAVJLL APERTURA FRO	LEGEND FRONT LOADING DISH.	1	1	1	1	1							